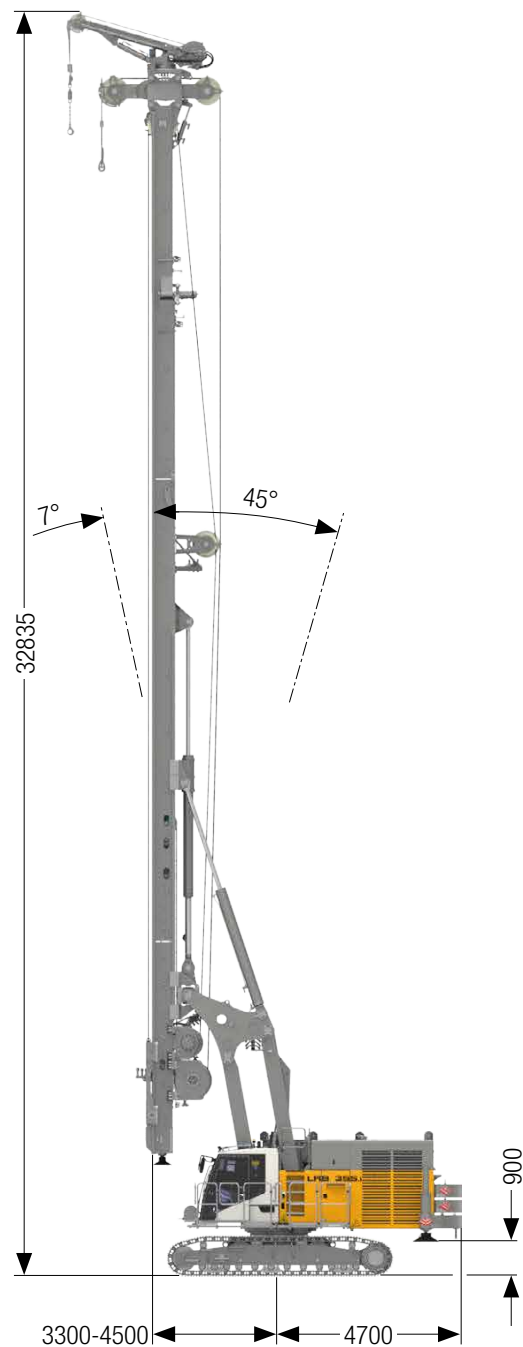


## ► Piling and drilling

### ■ LIEBHERR LRB 355

Technical data	LRB 355
Overall height	32835 mm
Operating weight	95,6 - 108,8 to
Leader inclination front	7 degrees max.
Leader inclination rear	45 degrees max.
Leader inclination laterally	7 degrees max.
<b>Crowd winch</b>	
Crowd force (push/pull)	400 kN
Line pull effective	200 kN
travel path 22m/27m main leader	18,5 / 23,5 m
Rope speed	0-70 m/min
<b>Main winch</b>	
Line pull effective (1st layer)	250 kN
Rope diameter	34 mm
Rope speed	0-85 m/min
<b>Auxiliary winch</b>	
Line pull effective (3rd layer)	80
Rope diameter	20 mm
Rope speed	0-54 m/min
Swing range left	180 degrees max.
Swing range right	90 degrees max.
Radius adjustment device	2450 mm



## ► LIEBHERR LRB 355 Piling-drilling rig

### Technical data

### LRB 355

#### Engine

Rated output ISO 9249 (1700 rpm)	750 kW
Engine conforms to Exhaust Emission Standard	EU 2016/1628 Stage V EPA/Carb Tier 4F
Engine Type	Liebherr D 9512 A7-04
Fuel Tank	1300 Liter

#### Hydraulicsystem

Max. working pressure	400 Bar
Hydraulic oil tank capacity	1100 Liter
Flowrates (For attachments)	3x 396 + 2x430 L/min
Flowrates (For kinematics)	215 L/min

#### Crawlers

Drive System	Axialkolbenmotoren
--------------	--------------------

#### Undercarriage type 225

Drive speed	0-2,1 km/h
Track force	647 kN
Grousers	900 mm

#### Undercarriage type 260

Drive speed	0-1,8 km/h
Track force	745 kN
Grousers	1000 mm

